

### Performance Features

LA39-G series Pushbuttons are the latest products independently developed by us and have independent intellectual properties. This series of products have integrated the advantages of the like products and also made up the disadvantages of other products. Its delicate design, complete specifications, convenient installation, good visual appearance and reliable operation are the biggest advantages of this series of products.



### Structural Features

LA39-G series Pushbuttons have applied the internationally popular modularized combination structure and mainly consist of two parts – operation actuators and contact modules. The actuator is designed with the smooth lines, ultrathin sizes, and various visual types. The protection class of IP 65 also has greatly enhanced the delicacy of the control panel.



### Contact Performance

With our unique technical expertise, the contact module of LA39G series Pushbuttons has been designed into two-breakpoint quick-action structure, which has greatly improved the contact reliability and electrical breaking capacity. The contact is gold plated so that it can work reliably under the low-voltage and micro-current conditions. One module can provide a pair of independent NO and NC contacts. One Pushbutton can be installed with a maximum of three contact modules (3 pairs of NOcontacts + 3 pairs of NCcontacts).



### Model Description

#### Pushbuttons

LA39-G □ □ □ / □ □ □

- Voltage class Code: 21: AC/DC 6V  
22: AC /DC 12V  
23: AC/DC 24V
- Action Function: f: left reset                      fu: right reset  
ffu: left and right reset                      L: key left pull-out  
C: key center pull-out                      R: key right pull-out
- Color : r: red              g: green  
          y: yellow            b: blue  
          w: white            k: black
- Actuator Shape: no mark: circular  
                          F: square  
                          J: rectangular
- Operation Type: no mark: normal pushbutton                      D: illuminated pushbutton  
                          X: two-position selector switch                      XS: three-position selector switch  
                          T: self-lock pushbutton                                      Q: piano actuator pushbutton  
                          M: mushroom pushbutton                                    Y: two-position key switch  
                          YS: three-position key switch                                Z: emergency stop pushbutton  
                          S: pushbutton with symbol (refer to page 15 for detailed symbol types)
- Number of Contacts: 11: 1 normally open and 1 normally closed  
                                  22: 2 normally open and 2 normally closed  
                                  33: 3 normally open and 3 normally closed

#### Indicator

AD16-16 □ □ / □ □

- Voltage class Code
- Color
- Actuator Shape
- Auxiliary Code

#### Buzzer

AD16-16 M □ □ / □ □

- Voltage class Code
- Sound Type
- Actuator Shape

### Basic Technical Parameters

Work Temperature	-25°C ~ +55°C		
Work Humidity	45~85%RH		
Contact Resistance	≤100mΩ		
Rated impulse Withstand Voltage Uimp	2000V AC		
Mechanical endurance	For normal pushbuttons 10×10 <sup>5</sup> times For selector switch 10×10 <sup>4</sup> times For emergency pushbutton 5×10 <sup>4</sup> times		
Electrical endurance	AC-15	100,000 times (1,200 times/hour)	
	DC-13	50,000 times (1,200 times/hour)	
Protection Class	IP65	Those with "TH" mark can work normally under the humid tropic environment.	
Action Travel	1.5~2.5mm		

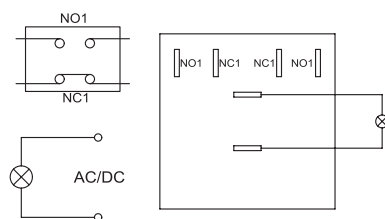
### Maximum Contact Capacity

Rated Insulation Voltage Ui		250V		
Conventional Thermal Current Ith		5A		
Application Category	Rated Work Voltage Ue	24V	110V	220V
AC-15	Rated Work Current Ie	2A	1A	0.5A
DC-13		0.7A	0.2A	0.1A

### Contact Types and Wiring Diagrams

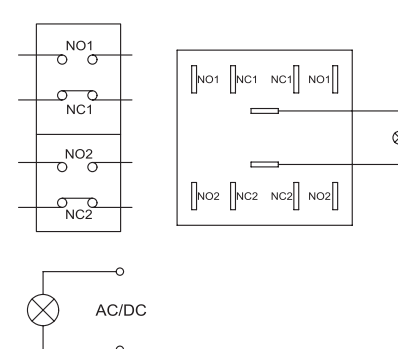
1 NO and 1 normally closed

Wiring diagram



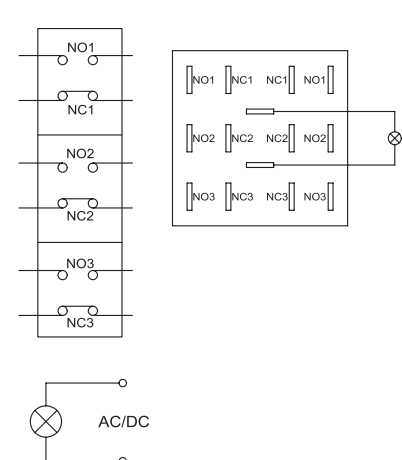
2 NO and 2 normally closed

Wiring diagram



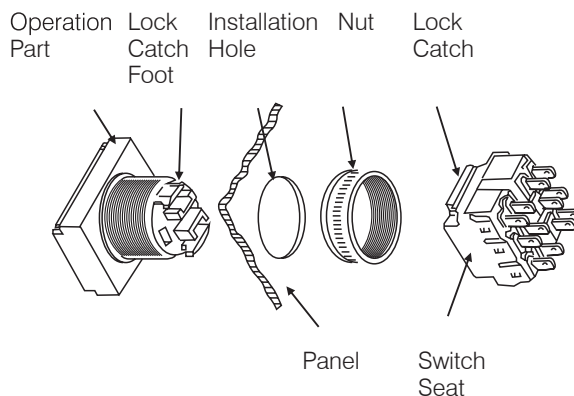
3 NO and 3 normally closed

Wiring diagram



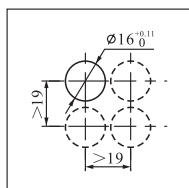
### How to select?

The installation sequence is as follows: first pass the operation part through the panel hole and fix it after fastening the nuts. Then press the lock catch of the switch seat with the lock catch foot of the operation part together. Disassemble the switch seat only by pressing the lock catch of the switch seat towards the inner side.

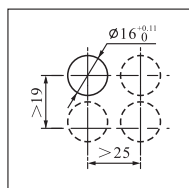


### Installation Hole Size

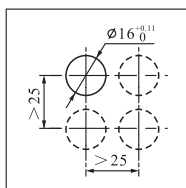
Round/Square Actuator Hole



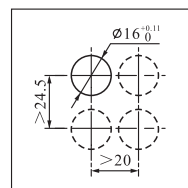
Rectangular Actuator Hole



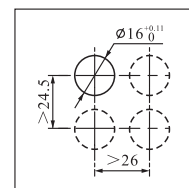
Mushroom Pushbutton and Emergency Stop Pushbutton Actuator Hole



Hole for Actuator with Installation Guard Cover F-I



Hole for Actuator with Installation Guard Cover F-II



### Precautions

- There are two wiring methods, i.e. welding and plug-pull type. If plug-pull type wiring is adopted, it is suggested that the internationally common used plug bush (2.8×0.5mm) shall be used and the jacket shall be installed.
- If the welding is required for the wiring:
  - Hand welding 25W, within 3 seconds.
  - Auto welding 240 C , within 3 seconds.

No external force shall be applied within 1 minute after being welded and then the jacket shall be installed. Do not use any solvent for welding in order to prevent it from entering the inside of the switch and damaging the products.

- The Pushbuttons shall be hand operated. It is prohibited to use any other tool for operation!

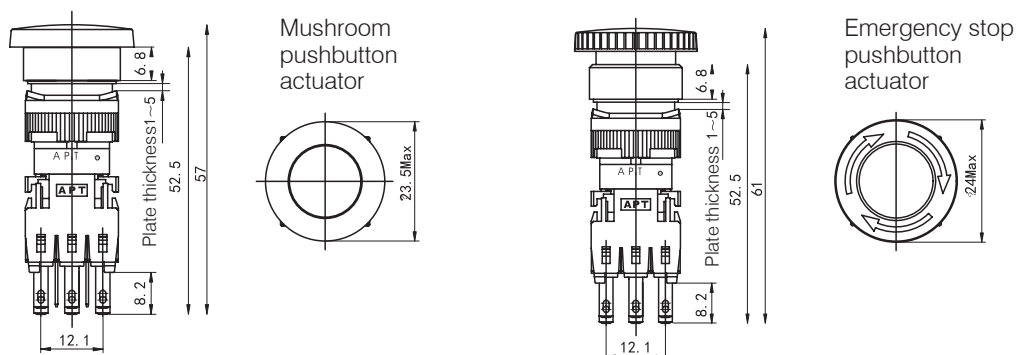
### Product selection

### Emergency Stop Pushbuttons, Mushroom Pushbuttons, and Illuminated Mushroom Pushbuttons


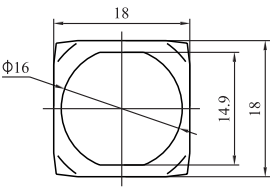
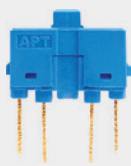
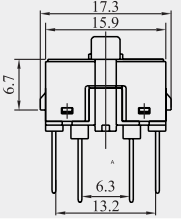

Name	Actuator Shape	Work Status	Contact	Model	Voltage Class	Color
Emergency Stop Pushbutton		Locking by pressing down and resetting by turning 45°right	11	LA39-G11Z/□		red-r
			22	LA39-G22Z/□		
			33	LA39-G33Z/□		
Mushroom Pushbutton		Momentary	11	LA39-G11M/□		red-r
			22	LA39-G22M/□		green-g
			33	LA39-G33M/□		yellow-y
		Maintained	11	LA39-G11MT/□		blue-b
			22	LA39-G22MT/□		white-w
			33	LA39-G33MT/□		
Illuminated Mushroom Pushbutton		Momentary	11	LA39-G11MD/□■	LED 21-AC/DC 6V 22-AC/DC 12V 23-AC/DC 24V	red-r
			22	LA39-G22MD/□■		green-g
			33	LA39-G33MD/□■		yellow-y
		Maintained	11	LA39-G11MTD/□■		blue-b
			22	LA39-G22MTD/□■		white-w
			33	LA39-G33MTD/□■		

**Description:** " □ " in the column of model is indicated with color and " ■ " is indicated with voltage class code.

#### Appearance dimension



### Accessories

Name	Type	Model	Description	Function	Size
Clamping Ring		F-X		Prevent the pushbutton rotation	
Contact Module		F-XI		For free combination of the contacts	
Simulation Device		F-XII		It is used to fill the positions where the contact modules are not installed	