

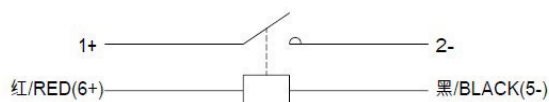
## 1. Application Scope and Purpose

The NDZ3T-350~400 series of high-voltage DC contactors apply to the DC system with the working voltage of DC750V and working current of 350~400A, which are mainly used in electric vehicles, charging piles, charging stations and other fields.

## 2. Operating Environment

Temperature:  $-40\sim 85^{\circ}\text{C}$ , humidity:  $5\sim 95\%RH$

## 3. Electric Circuit Diagram



Load with polarity, coil with polarity

## 4. External Dimensions and Installation Dimensions (mm)

# CCC, CQC, CB, CE, TUV, UL

## Contactors

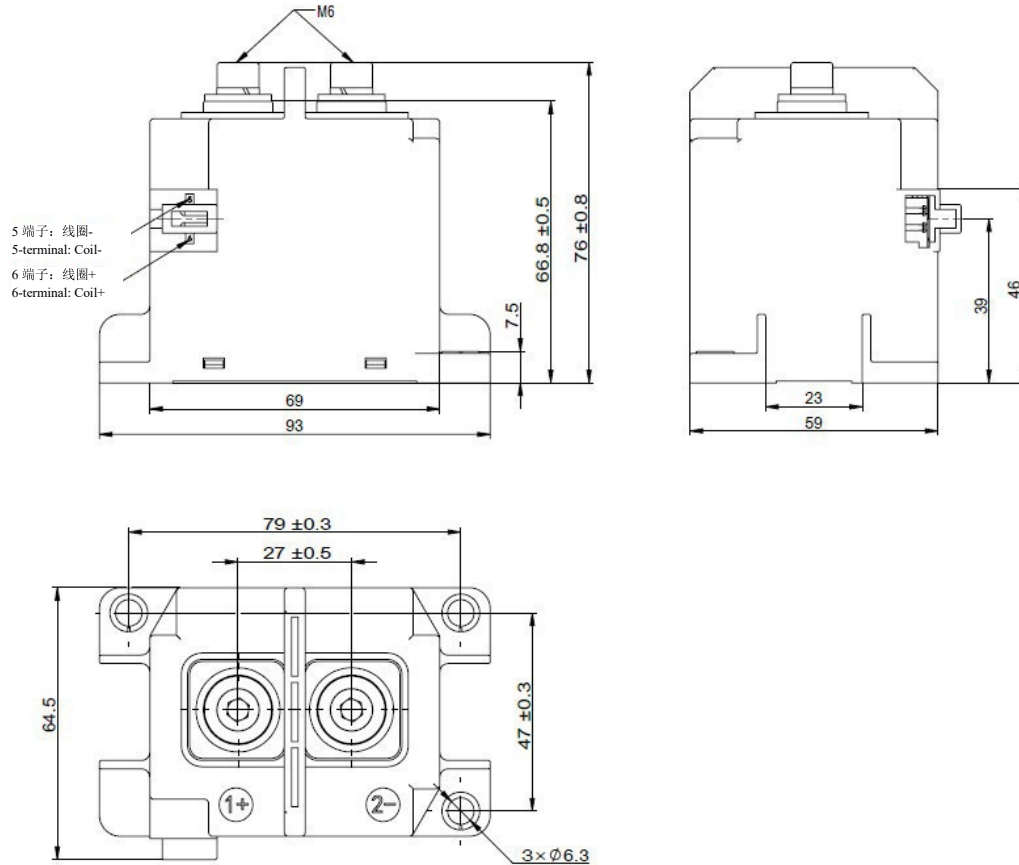
### NDZ3T-350-400 series

# QUISURE

*Keep quick, Make sure*

ISO9001:2015

QUALITY GUARANTEED



**NDZ3T-350/400**

**CCC, CQC, CB, CE, TUV, UL**

**Contactor**

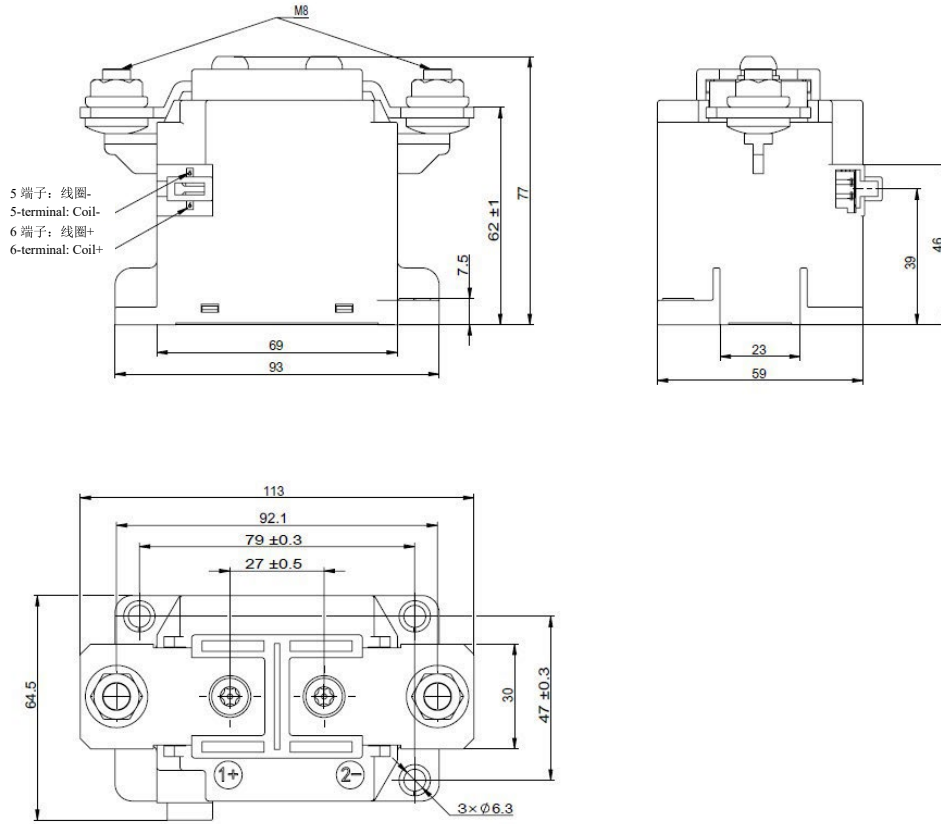
**NDZ3T-350-400 series**

**QUISURE**

*Keep quick, Make sure*

ISO9001:2015

QUALITY GUARANTEED



**NDZ3T-350P/400P**

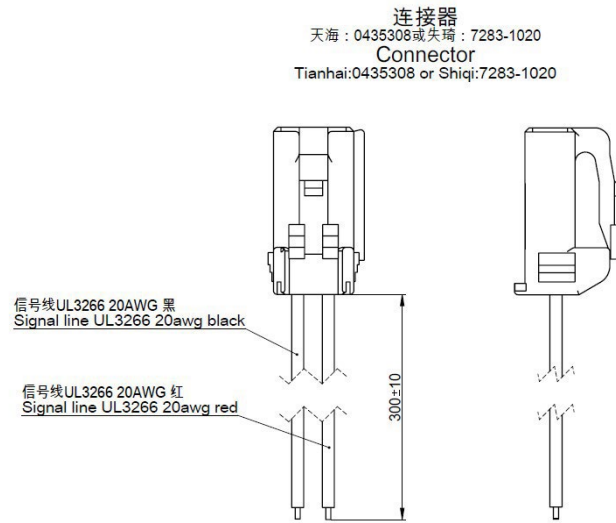
**5. Installation mode**

Screw mounting

(mm)

**6. Coil connector**

(mm)



## 7. Use and Maintenance

1. It is required to carry out the installation according to the specified conditions and use environment;
2. Replace the product when the life has reached to its end in case the insulation resistance between contacts is below  $50M\Omega$  ;

## 8. Precautions

- a. The drive circuit power of the contactor coil must be greater than the coil's starting power;
- b. It is strictly forbidden to use the product in places with strong magnetic fields or in proximity to thermal radiation;
- c. With the built-in energy-saving board, the product will perform coil switching after driven for 0.2s. Do not repeat starting within  $<0.2s$ ;
- d. The product can't be driven by the slowly rising voltage, ; otherwise, the product will not act. It will be directly driven with the pulse voltage.
- e. Wiring terminal torque

**CCC, CQC, CB, CE, TUV, UL**

**Contactors**

**NDZ3T-350-400 series**



NDZ3T-350/400 (M6 screw)                      6~8N.m

NDZ3T-350P/400P (M8 screw)                      9~11N.m

Installation position torque

M5 screw                      3~4N.m;

f. Avoid adhering grease and other foreign matters on the wiring terminal and use the connecting conductor with the following specifications, which may otherwise lead to the abnormal heating of the wiring part;

Wire cross-section area  $\geq 1\text{mm}^2$ ;